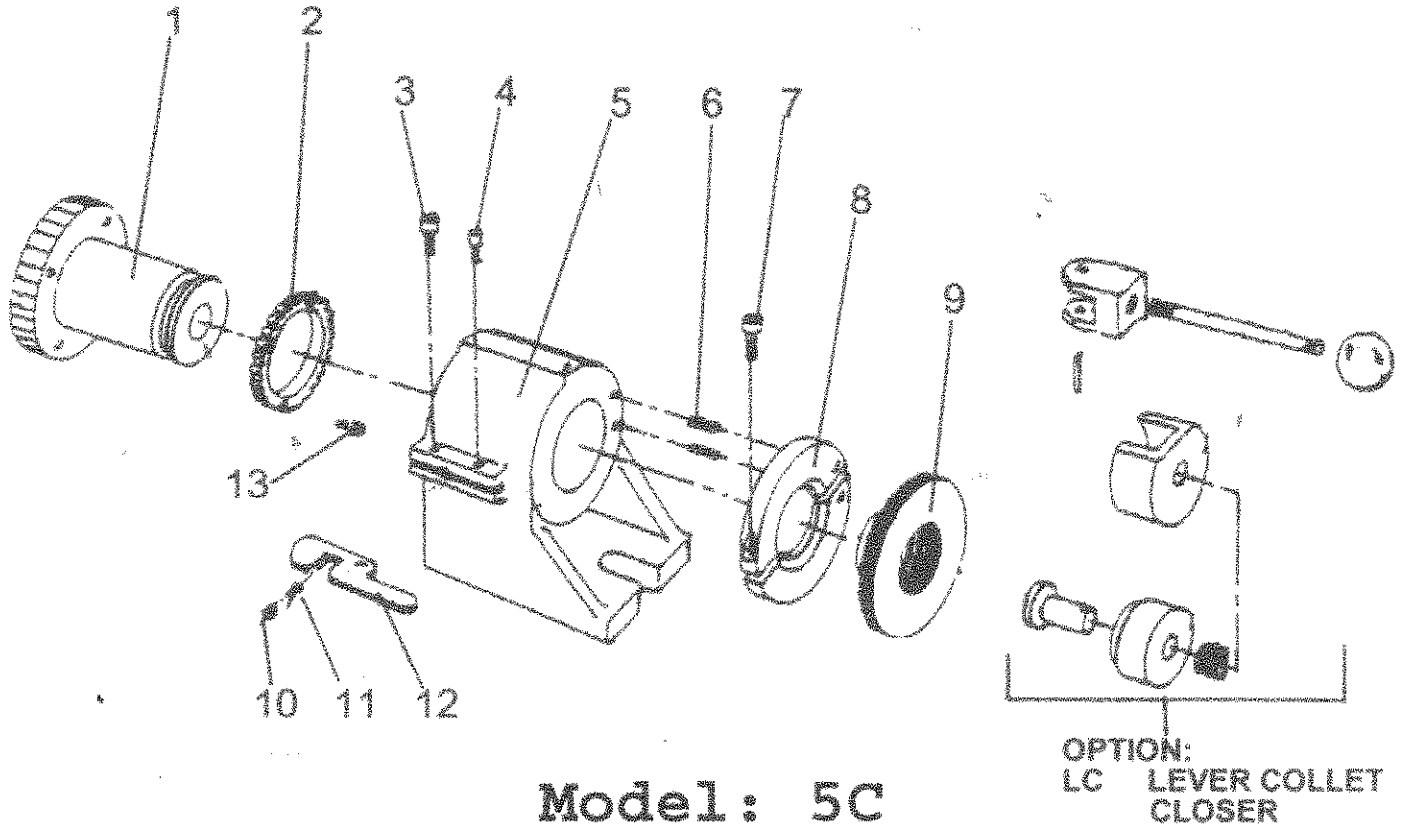


KI KALAMAZOO INDUSTRIES, INC.

6856 East K Avenue
 Kalamazoo, MI 49048
 269-382-2050 PH
 269-382-0790 FAX
 www.kalamazooindustries.com



Model: 5C

ITEM	PART #	DESCRIPTION	7	—	1/4-20x7/8 SHCS
1	701-040	SPINDLE	8	648-001	SPLIT LOCK RINGS
2	AR-24	24 NOTCH RING	9	AD5C	DRAW IN NUT
3	—	1/4-20x1/4 S.S.S.	10	—	3/8-16x1/4 SSC
4	—	10-24x7/8 SHCS	11	697-006	SPRING
5	386-002	HOUSING	12	442-002	KEY
6	—	1/4x1 SPRING PIN	13	—	6-32x3/8 SHCS

Basic operation: #5C indexer uses indexing rings #2 for divisions up to 36 notch rings (20 notch standard). Depress lever #12 and rotate spindle #1, release lever into desired notch. Tighten cap screw #7 on locking rings #8 to secure spindle from moving. Insert 5C collet into spindle #1 thread #9 draw nut to 5C collet threads to tighten 5C collet. Optional LC lever collet closer is for quick open/close of 5C collet. To change index notch rings loosen split lock rings, pull spindle #1 out, remove cap screws on notch ring #2, change notch rings to desired ring and replace spindle.