

4

3

2

1

COMPLETE INDEX PIN ASSEMBLY
ORDER 568-001A

PIN IS GROUND
FLUSH WITH OUTSIDE
OF HOUSING.

PRESS ROLL PIN IN
PLACE. INDEX PLUNGER
SHOULD MOVE FREELY.
PIN IS GROUND FLUSH
BEFORE FINAL ASSEMBLY.

SECTION B-B
INDEX PIN DETAILS

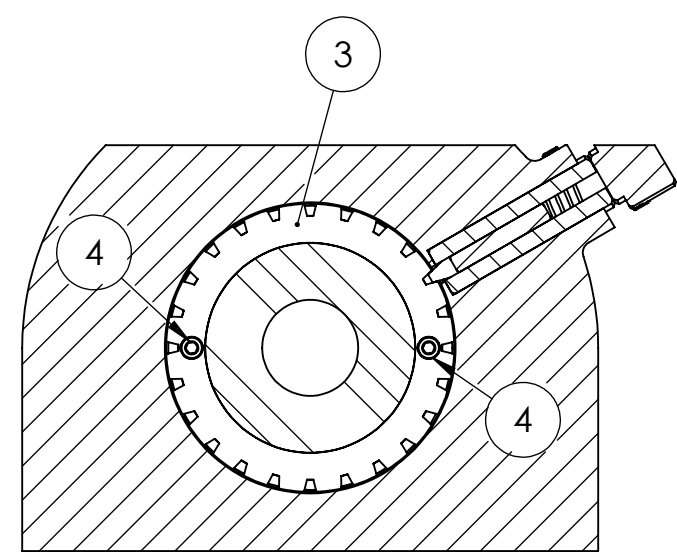
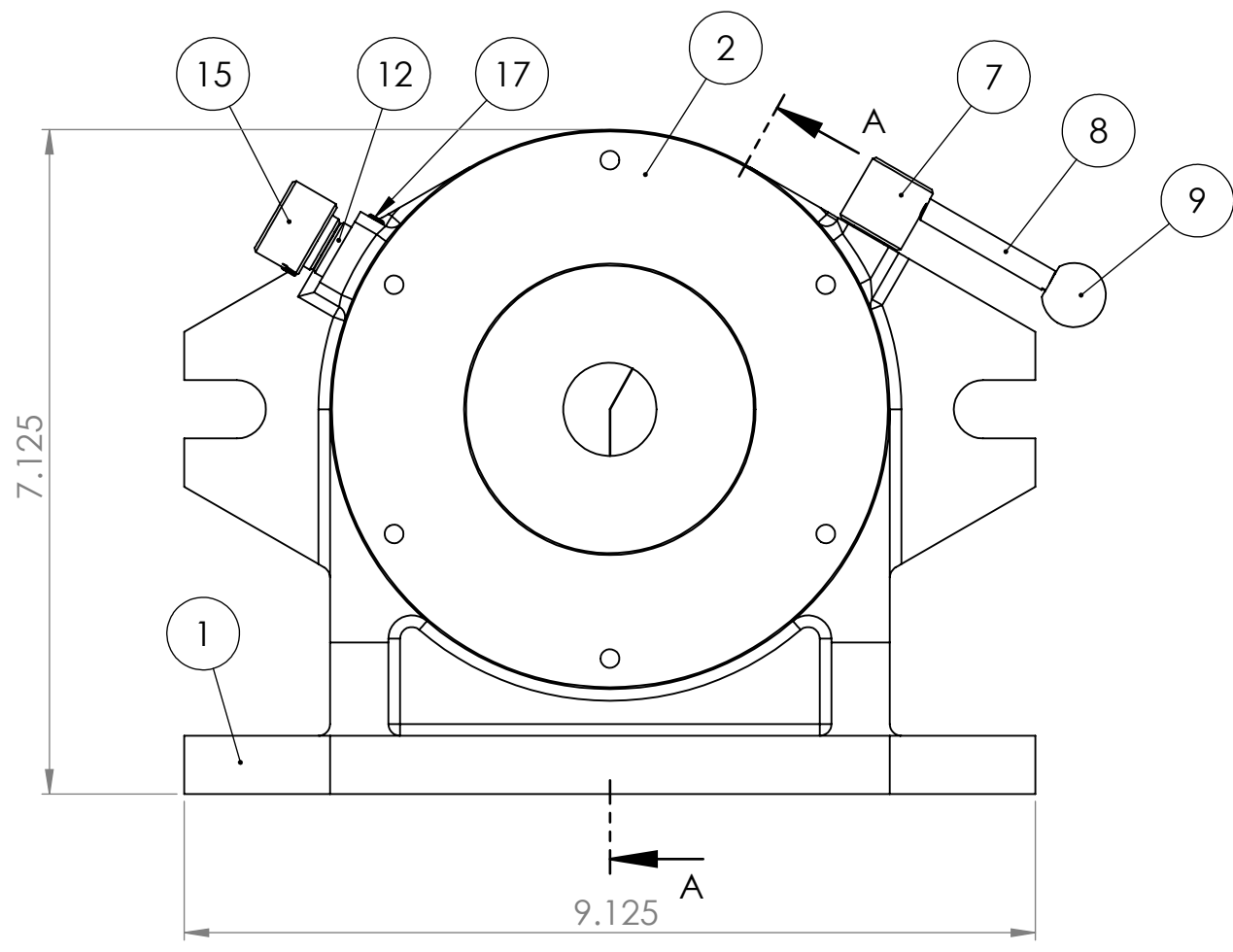
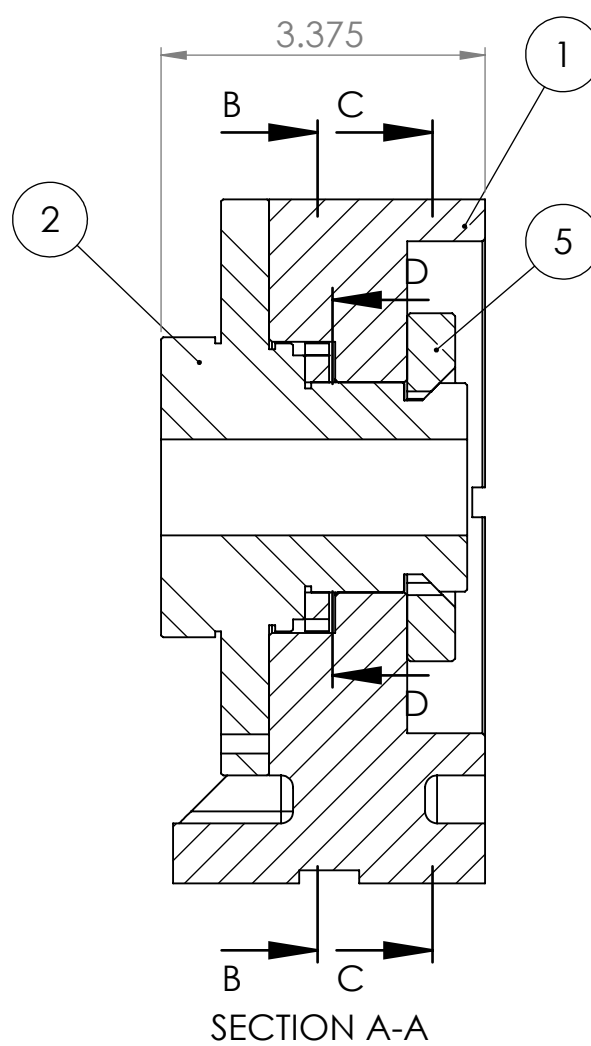
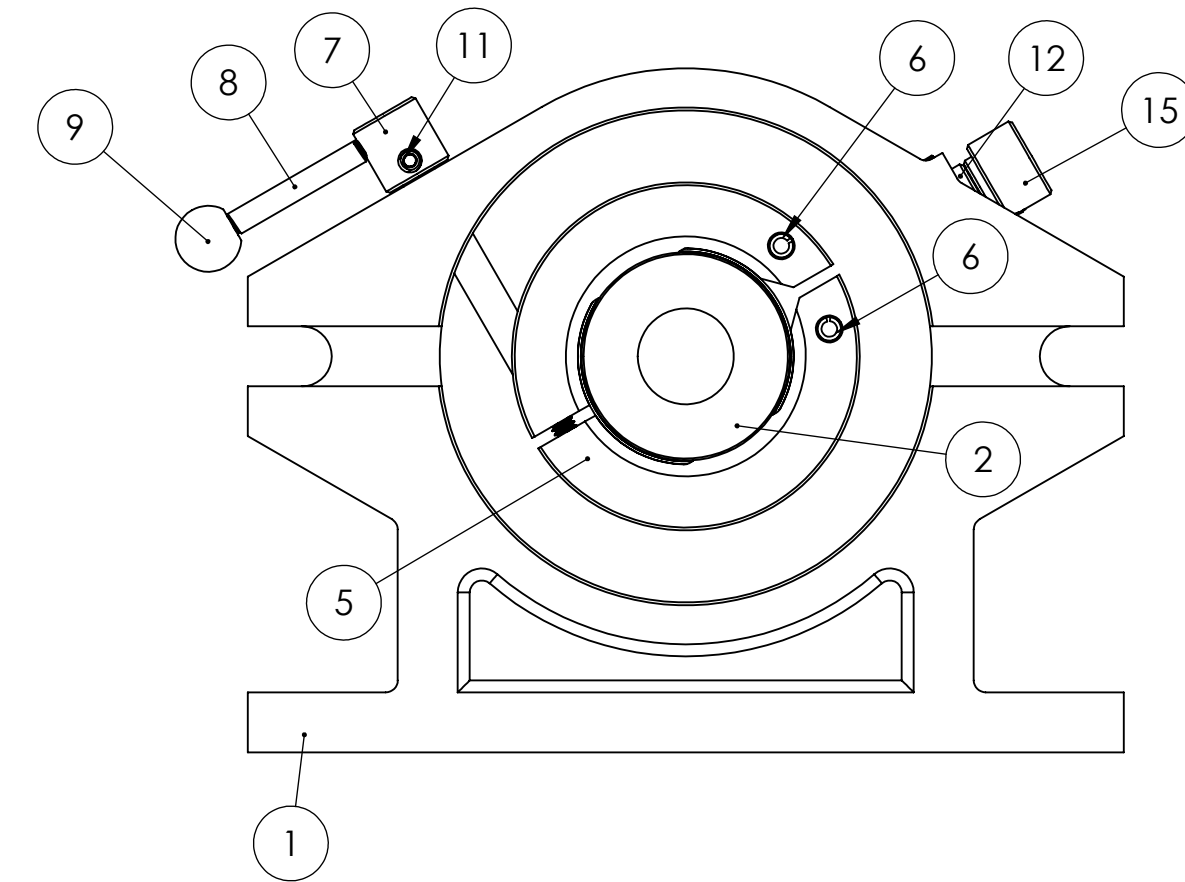
SECTION C-C
LOCK SCREW DETAILS

SECTION D-D
INDEX RING DETAILS

COMPLETE INDEX PIN ASSEMBLY 568-001A INCLUDES:

- 568-001 PLUNGER INDEX PIN (QTY 1)
- 697-007 PLUNGER SPRING (QTY 1)
- 386-004 PLUNGER HOUSING (QTY 1)
- 441-006 KNURLED KNOB (QTY 1)
- 61477675 SPRING PIN (QTY 2)
- SSKA025004 (QTY 1)

ITEM NO.	PART NUMBER	DESCRIPTION	QTY.
1	050-005	BODY FOR RT	1
2	701-005	SPINDLE FOR RT	1
3	AR-24	24 NOTCH INDEX RING	1
4	SHCA006006	6-32 X 3/8 SHCS	2
5	648-001	SPLIT LOCK RING (2 HALVES) FOR 5C-A1-RT	1
6	ROLA025016	1/4 X 1 ROLL PIN	2
7	454-002	LOCK, VISE FOR RT	1
8	381-005	HANDLE FOR RT	1
9	441-007	RT LOCK KNOB (SMALL BLACK)	1
10	696-003	SCREW, LOCK FOR RT	1
11	SSKA025004	1/4-20 X 1/4 SOC SET KNURL PT.	1
12	386-004	PLUNGER HOUSING FOR RT AND A1	1
13	568-001	PLUNGER INDEX FOR A1 AND RT	1
14	697-007	SPRING, PLUNGER FOR A1 AND RT	1
15	441-006	PLUNGER KNOB, (KNURLED) FOR RT AND A1	1
16	61477675	3/32 DIA X 3/8 LONG SLOTTED SPRING PIN	2
17	SSKA011004	10-32 X 1/4 SOC SET KNURL PT.	2



AR-24 RING SHOWN BUT OTHER
SIZES ARE AVAILABLE.

ORDER 568-001A FOR COMPLETE INDEX PIN ASSEMBLY

PROPRIETARY AND CONFIDENTIAL
THE INFORMATION CONTAINED IN THIS
DRAWING IS THE SOLE PROPERTY OF
KALAMAZOO INDUSTRIES, INC. ANY
REPRODUCTION IN PART OR AS A WHOLE
WITHOUT THE WRITTEN PERMISSION OF
KALAMAZOO INDUSTRIES, INC. IS
PROHIBITED.

UNLESS OTHERWISE SPECIFIED:		NAME	DATE	
DIMENSIONS ARE IN INCHES		DRAWN		
TOLERANCES:		CHECKED		
FRACTIONAL ±		ENG APPR.		
ANGULAR: MACH ± BEND ±		MFG APPR.		TITLE: 6" INDEX TABLE
TWO PLACE DECIMAL ±		Q.A.		SIZE DWG. NO. REV
THREE PLACE DECIMAL ±		COMMENTS:		C RT
INTERPRET GEOMETRIC TOLERANCING PER:	MATERIAL			SCALE: 1:2 WEIGHT: SHEET 1 OF 1
FINISH				
NEXT ASSY	USED ON			
APPLICATION	DO NOT SCALE DRAWING			

4

3

2

1